

Contents in the Box:

Operation manual----- 1P
Warranty card-----1P
Stopper-----1p
UC-160 Laminate Cutter
----- 1set

Attach the Blade and Handle

. Attach the blade by using the nuts and washers. The two washers on the inside of the frame with the blade between them and tighten the nuts on the outside of the frame so the blade is secure. Attach the handle with the two screws provided, as shown in Fig.3.

Warning:

Try to avoid contact under the blade on the base where there are sharp edges that may cause injury. See Fig. 2

Cut 1

Insert the material flush against the blade at the up position. Then place stopper into the slots provided for the proper length needed. Then pull down to cut through the material.

Warning:

Adjust the screw to the desired height as shown in Fig.3 to protect your hand from getting injured.

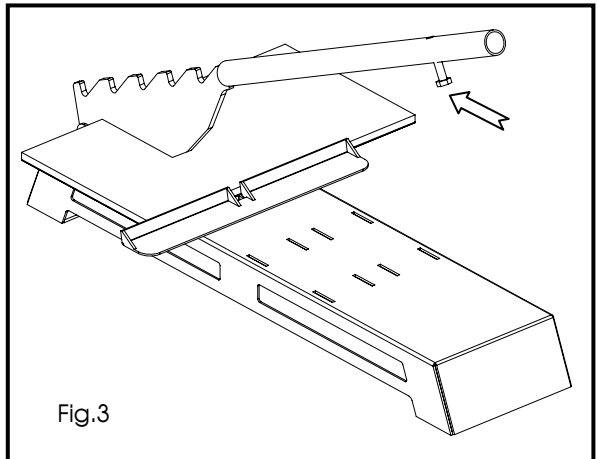
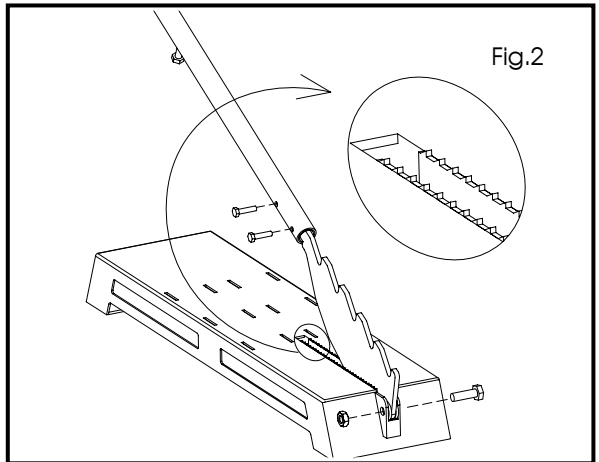
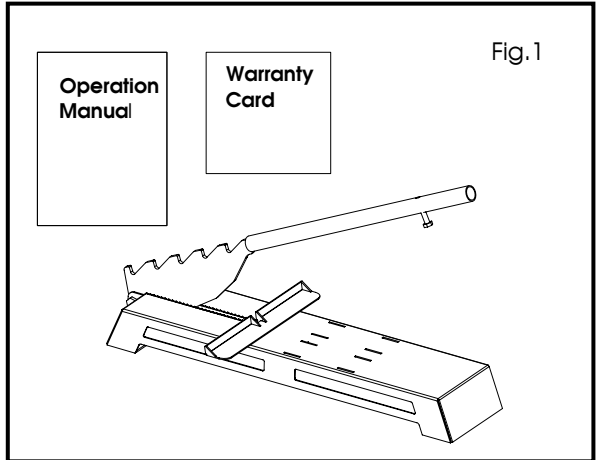


Fig.4

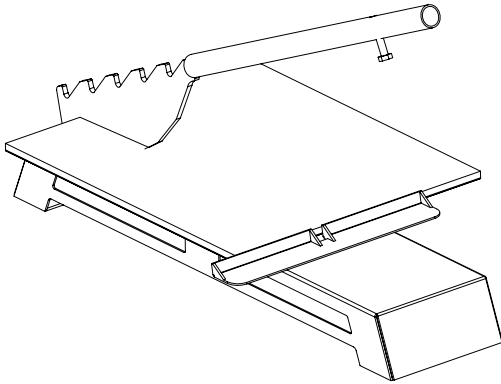


Fig.5

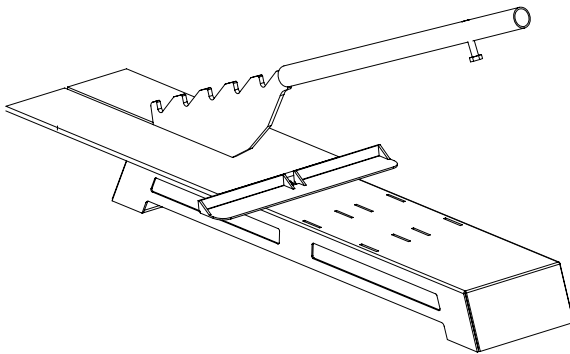
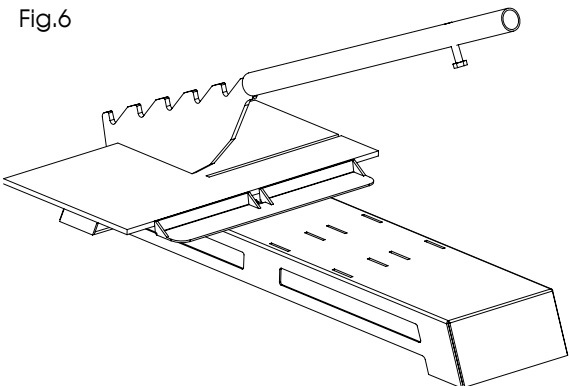


Fig.6



Cut 2

When cutting length wise of the material remove the stopper and place material on base firmly hold material down and pull down the handle. There are small teeth on the base to help support the material from slipping. This is for longer cuts, 90° degree angle cuts and diagonal cuts.

Unlimited Cut

See Cut 2 and Fig, 5 and Fig 6. When cutting lengthwise and its longer than 8 inches, pull down handle to cut than pull up and slide material to the edge of the blade and pull down again. Repeat these functions until cutting length is complete. When making a right angle cut see Fig 6. Place material to the desired area where you would make that type of cut. Pull down handle to the desired length then turn the material to the proper position and then pull until cut is complete.